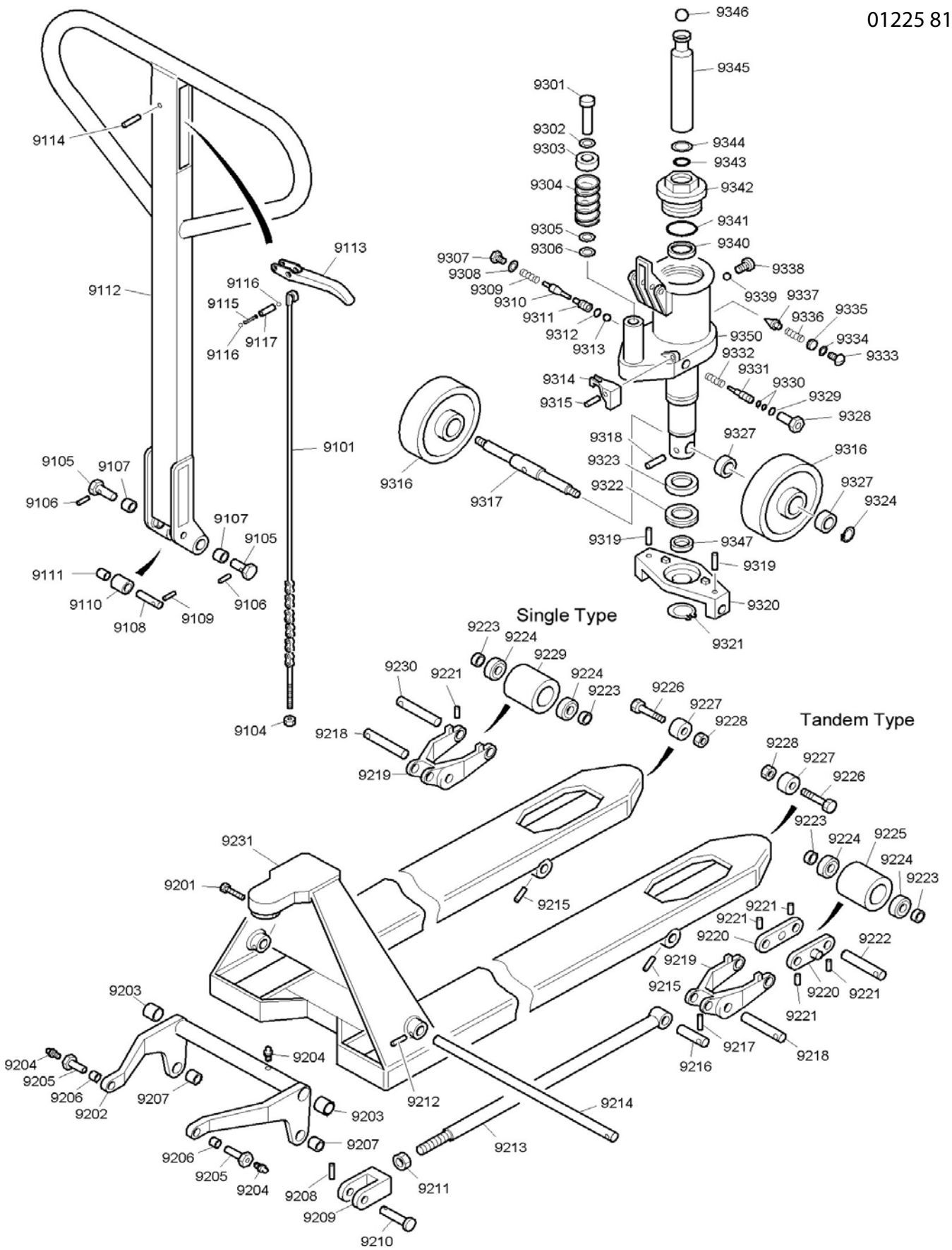




# M25 Series 2 Parts Diagram

01225 810081



<u>Part No.</u>	<u>Description</u>
	<b><u>Handle Assembly</u></b>
9101	Rod + Chain Complete
9104	Nut
9105	Handle Pin
9106	Pin
9107	Bush
9108	Roller Pin
9109	Pin
9110	Roller
9111	Bush
9112A	Handle Body
9112B	Handle Assembly
9113	Trigger
9114	Pin
9115	Spring
9116	Ball
9117	Tube
	<b><u>Frame Assembly</u></b>
9201	Bolt
9202A	Torsion Lever for 550mm
9202B	Torsion Lever for 685mm
9202C	Torsion Lever for 450mm
9203	Bush
9204	Oil Holder
9205	Shoulder Pivot Bolt
9206	Bush
9207	Bush
9208	Pin
9209	Joint
9210	Axle
9211	Nut
9212	Pin
9213A	Push Rod for 1000mm
9213B	Push Rod for 1150mm
9213C	Push Rod for 1220mm
9213D	Push Rod for 900mm
9213E	Push Rod for 800mm
9214A	Torsion Bar for 550mm
9214B	Torsion Bar for 685mm
9214C	Torsion Bar for 450mm
9215	Pin
9216	Axle, Rod/Bracket
9217	Pin
9218	Axle, Frame/Bracket
9219	Wheel Bracket
9220	Tandem Bracket Plate
9221	Pin
9222	Axle, Tandem
9223	Washer
9224	Bearing
9225A	Tandem Load Wheel - Nylon
9225B	Tandem Load Wheel - Poly
9225C	Tandem Load Wheel - Steel
9226	Bolt
9227	Entry Roller
9228	Nut
9229A	Single Load Wheel - Nylon

<u>Part No.</u>	<u>Description</u>
9229B	Single Load Wheel - Poly
9229C	Single Load Wheel - Steel
9230	Axle, Single
9231	Fork Frame - State Size
	<b><u>Hydraulic Unit Assembly</u></b>
9300	Hydraulic Seal Kit
9301	Pump Piston
9302	Washer
9303	Piston Cap
9304	Spring
9305	Wiper
9306	Seal
9307	Screw
9308	Washer
9309	Spring
9310	Cone
9311	Valve Seat
9312	O-ring
9313	Steel Ball
9314	Lever Plate
9315	Pin
9316A	Steer Wheel - Nylon
9316B	Steer Wheel - Rubber
9316C	Steer Wheel - Steel
9316D	Steer Wheel - Poly
9317	Axle
9318	Pin
9319	Pin
9320	Thrust Plate
9321	Circlip
9322	Bearing
9323	Bearing Cover
9324	Circlip
9327	Bearing
9328	Valve Guide
9329	Washer
9330	O-ring
9331	Valve Piston
9332	Spring
9333	Screw
9334	Washer
9335	Safety Valve Bolt
9336	Spring
9337	Safety Valve Cone
9338	Filler Plug
9339	Seal
9340	Seal
9341	O-ring
9342	Piston Guide
9343	O-ring
9344	Wiper
9345	Lift Piston
9346	Steel Ball
9347	Bearing Cover
9350A	Hydraulic Casing
9350B	Hydraulic Unit Complete